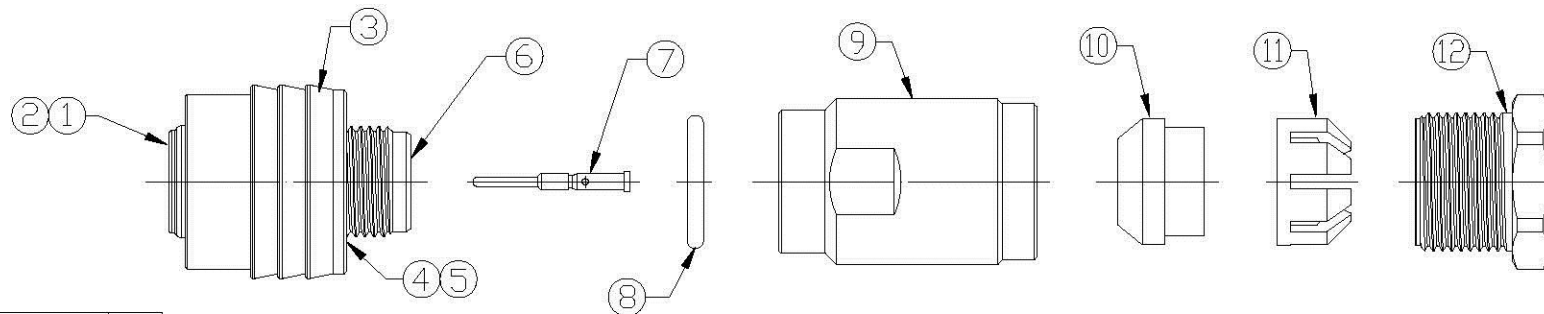


Notes: (Unless otherwise Specified)

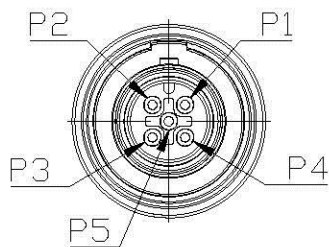
- 1. Waterproof Rate : IP68
- 2. Cable Diameter: 5.0 to 6.0 mm
- 3. Recommend Cover Torque: 15~16 Kgf-cm
- 4. Recommend Gland Nut Torque: 19~20 Kgf-cm
- 5. RoHS Compliant

REV	ECN#	DESCRIPTION OF REVISION	DRAW BY DATE	CHECK BY DATE	APPROVE BY DATE
A0		Mass Production	Hank 01/14/13	Ray 01/14/13	Ray 01/14/13
A1	ECN-130503	Change O-Ring Color	Hank 05/10/13	Ray 05/10/13	Ray 05/10/13

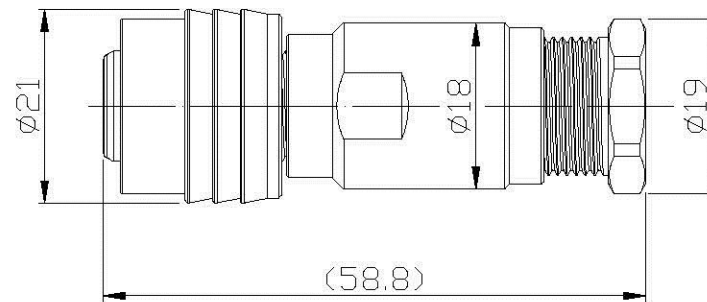
**GTC**  
**DOC.CENTER.ISSUE**  
**MAY.10.2013**  
**ONLY FOR**  
**RELEASE**



12	Metal Gland Nut	SUS Finish-	1
11	Cage	Thermoplastic Color: White	1
10	Gland	Silicone Color: Green	1
9	Metal Cover	SUS Finish-	1
8	O-Ring	Silicone Color: Gray	1
7	Contacts	Copper Alloy Finish: Au Plated	5
6	Base	Thermoplastic Color: Black	1
5	Metal Holder	SUS Finish-	1
4	Spring	SUS Finish-	1
3	Metal Push Nut	SUS Finish-	1
2	Housing	Thermoplastic Color: Black	1
1	Metal Body	SUS Finish-	1
Item	Part Name	Material / Finish	Qty



Pin Assignment



TITLE: Push Lock M16 4A 5P SUS303 Field Installable Cable End Male Crimp

DRAWING NUMBER: GT261211-13052

REV: A1

	B	1:1	Hank 01/14/13	Ray 01/14/13	Ray 01/14/13	X.X ± 0.5 X.XX ± 0.2	X.XXX ± 0.05 ANGLES ± 1°	mm	1/1
THIRD ANGLE PROJECTION	SIZE	SCALE	DRAW / DATE	CHECK / DATE	APPROVE / DATE	TOLERANCES		UNIT	SHEET

**All connectors**

www.allconnectors.de  
Tel: +349 711 700950  
70751 Filderstadt - Germany

info@allconnectors.de  
Tel: +349 711 700954  
Kettenstr. 25

THE INFORMATION CONTAINED HEREIN IS THE PROPRIETARY PROPERTY OF GT CONTACT CO., LTD. THE POSSESSOR AGREES TO THE FOLLOWING:  
 (1) TO MAINTAIN THIS DOCUMENT IN CONFIDENCE  
 (2) NOT TO REPRODUCE OR COPY IT  
 (3) NOT TO REVEAL OR PUBLISH IT IN WHOLE OR PART  
 (4) ALL RIGHTS RESERVED